

## Kit Black support frame + Iroko wood chopping board



Accessories

Code: 8100 709



### DETAILS

**Material** Foster Black composit and Iroko wood

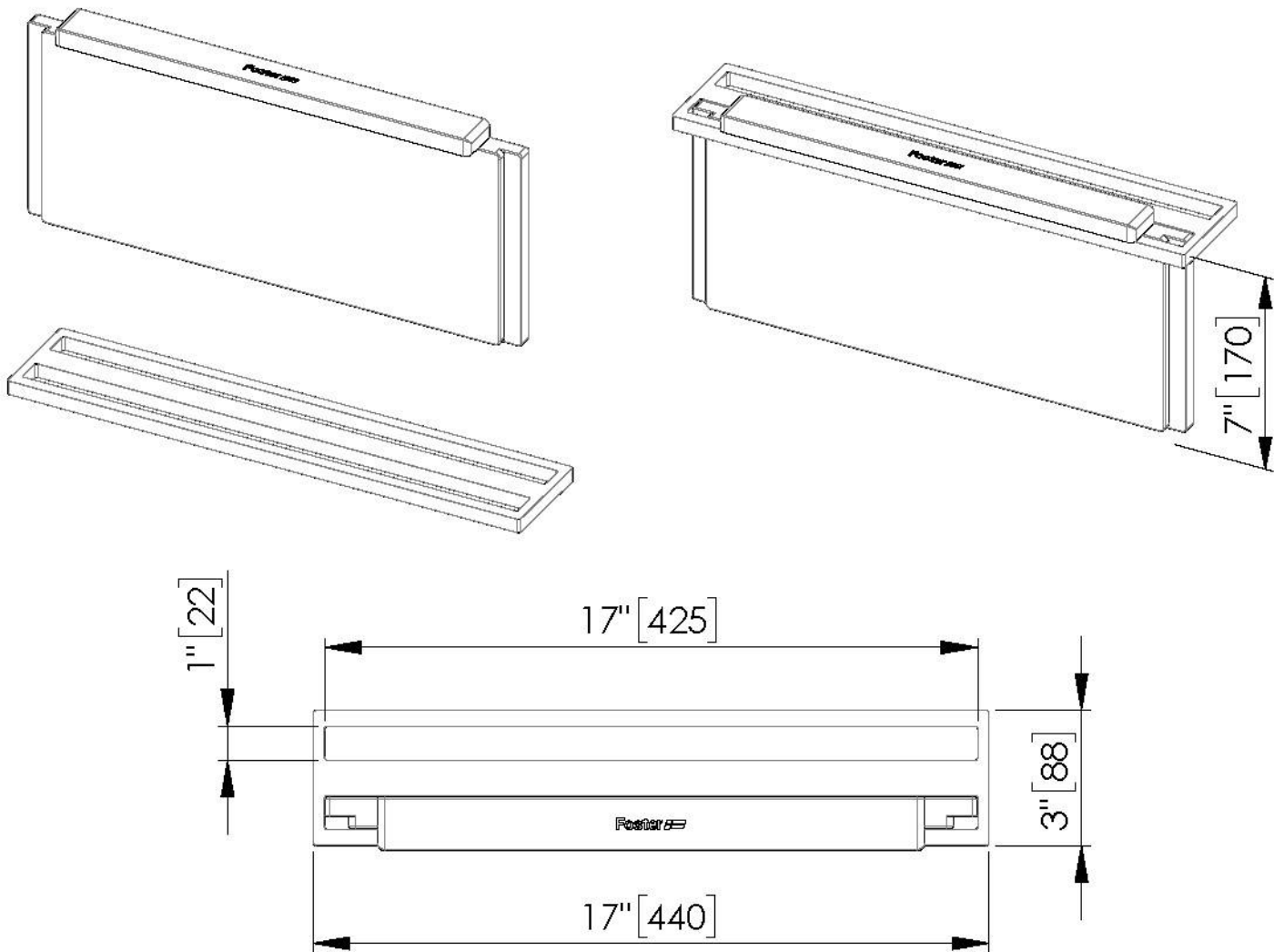
---

**Dimensions** 44 x 8,8 cm

---

## TECHNICAL DATA

8100 709



1 x supporto black / 1 x black support

1 x tagliere Iroko 8644 105 / 1 x Iroko cutting board 8644 105

## RECOMMENDED PAIRINGS



**Sink Bernini 36" x 21" – U/M - (USA)**

3780 660